

# Storm VR/VRC2200



Model	VR/VRC2200
VESSEL LENGTH	<b>12–15m</b> 38–48ft
POWER SUPPLY (DC)	<b>12/24V</b>
MOTOR (Watts)	<b>1200</b>
HYDRAULIC PRESSURE	<b>10MPa</b> 1450PSI
HYDRAULIC FLOW	<b>15L/min</b> 4gal/min
MAX LOAD	<b>1000kg</b> 2200lb
WORK LOAD	<b>250kg</b> 550lb
AMPS WORK LOAD (DC)	<b>150/70</b>
MAX LINE SPEED	<b>15m/min</b> 50ft/min
CHAIN SIZE	<b>6 mm (1/4")</b> <b>8 mm (5/16")</b> <b>10 mm (3/8")</b>
ROPE SIZE	<b>12 mm (1/2")</b> <b>14 mm (9/16")</b> <b>16mm (5/8")</b>
NET WEIGHT	<b>DC VR 23.5kg VRC 25kg</b> DC VR 52lb VRC 55lb <b>HYD VR 22.5kg VRC 24kg</b> HYD VR 50lb VRC 53lb
MANUAL OPERATION	<b>MOS</b> (std on most gypsy sizes)

## Features

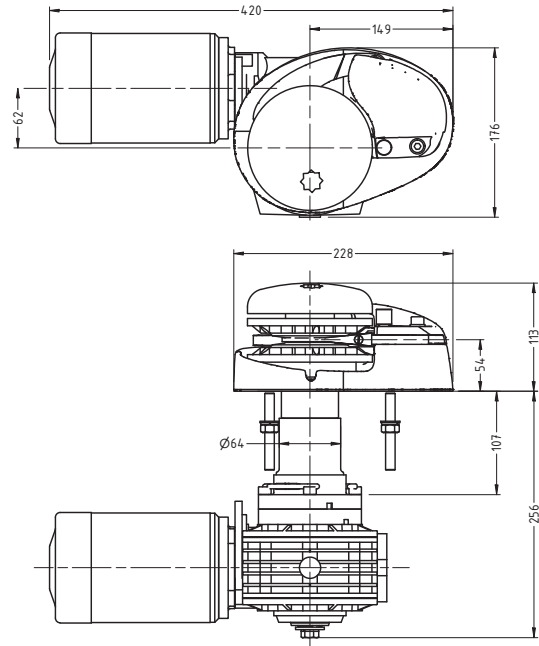
- Polished stainless steel components
- Rope chain combination gypsy
- Rope Chain Management System (RCMS)
- Quick release integrated swivel chain pipe cover
- Gypsy with low profile clutch top arrangement
- Heavy duty marine grade, dual direction motor in 12V and 24V DC, Hydraulic
- Independent gypsy and capstan operation
- Capstan model features heavy duty knurled finish for increased grip
- Quick fit adaptor
- Stainless steel shaft
- Cone clutch/brake
- Stainless steel mounting studs
- Shaft seal
- Self lubricating bush
- Clutch release handle
- Installation/Operation booklet
- Manual Operation System (MOS)



## Options

- Extra deck clearance kit for deck up to 150mm/6"
- Full range of accessories including chain, rope, chain stoppers, snubber kits and devil claws
- Electric and hydraulic operating options and accessories
- Auto anchor - chain counter.

## VR2200



## VRC2200

